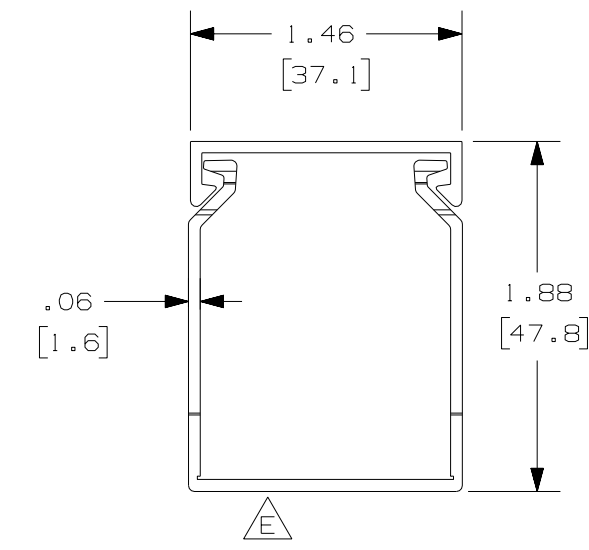
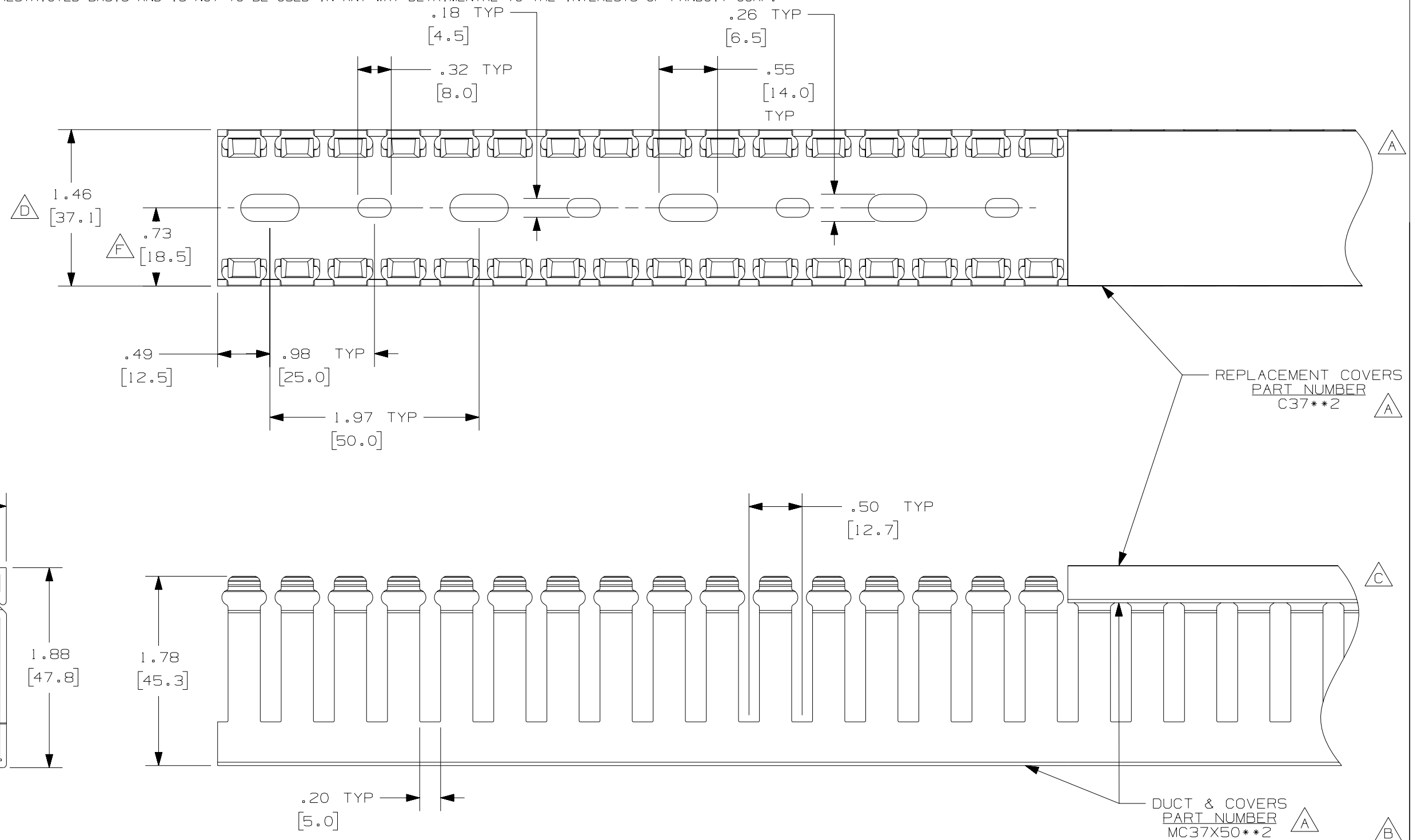


THIS COPY IS PROVIDED ON A RESTRICTED BASIS AND IS NOT TO BE USED IN ANY WAY DETRIMENTAL TO THE INTERESTS OF PANDUIT CORP.



- NOTE.**
1. ALL DIMENSIONS ARE REFERENCE ONLY.
 2. DIMENSIONS IN PARENTHESES ARE METRIC.
 3. THE ** DENOTE COLOR.
 4. DUCT AND COVER ARE AVAILABLE IN 6.56 FT, 2 METER [2000.0] LENGTHS.

REV	DATE	BY	CHK	DESCRIPTION
2	8-8-07	JCST	MKBE	G. ADDED LENGTH NOTE F. CORRECTED DIMENSION
1	9-30-05	JCST	MKBE	E. DELETED DIMENSION D. ADDED DIMENSION
R	6-27-03	JHNU	JGG	B. CHANGED DRAWING SIZE C. CHANGED VIEW A. ADDED TOP VIEW, LABELS, AND NOTE
				DRAWING RELEASED

CAD FILENAME/LAYERS		D11000JU_DC_01B	
PANDUIT CORP., TINLEY PARK, ILLINOIS			
WIRING DUCT - TYPE MC WITH COVER 37 X 50 MARKETING DRAWING			
DRAWN BY JHNU	MAT'L: PVC	SCALE FULL	DWG B
DATE 6-27-03		DRAWING NO. 36897-801	SIZE B
CHECKED BY JGG			